

**VESSEL DESIGN SPECIFICATIONS**

- Design in accordance with ASME Section VIII, Div. 1, 2007 & CSA B51-97
  - Classification: Category "H" Fitting containing a Nonlethal Gas or Vapour or a Nonlethal Liquid
  - MAWP hot & corroded: 100 psig @ 650°F
  - External Design Pressure: 0.0 psig
  - MDMT: -20°F @ 100 psig
  - Corrosion Allowance: 0.125"
  - Hydrotest Pressure: 130 psig
- Serial No.:
- C.R.N.:
- This vessel is designed with superimposed static, dynamic, or cyclic reactions due to equipment or mechanical loading, or pressure or thermal variations = 0 lbs.
  - This vessel is designed with thermal, mechanical, cyclical, pressure, or fluid shock loadings = 0 lbs.
  - Authorized Inspector: No
  - P.W.H.T.: No
  - Impact testing exempt per UG-20(f)
  - Welding procedure: CIL-WP-1

Head:  
 Type: Pipe Cap, 10" Sch.40 to B16.9  
 Material: SA-234-WPB

Radiography:  
 Category A joints - Seamless, No X-Ray  
 Head to shell seam - None UW-11(c) Type 1  
 Nominal thickness: 0.319"  
 Minimum thickness: 0.365"

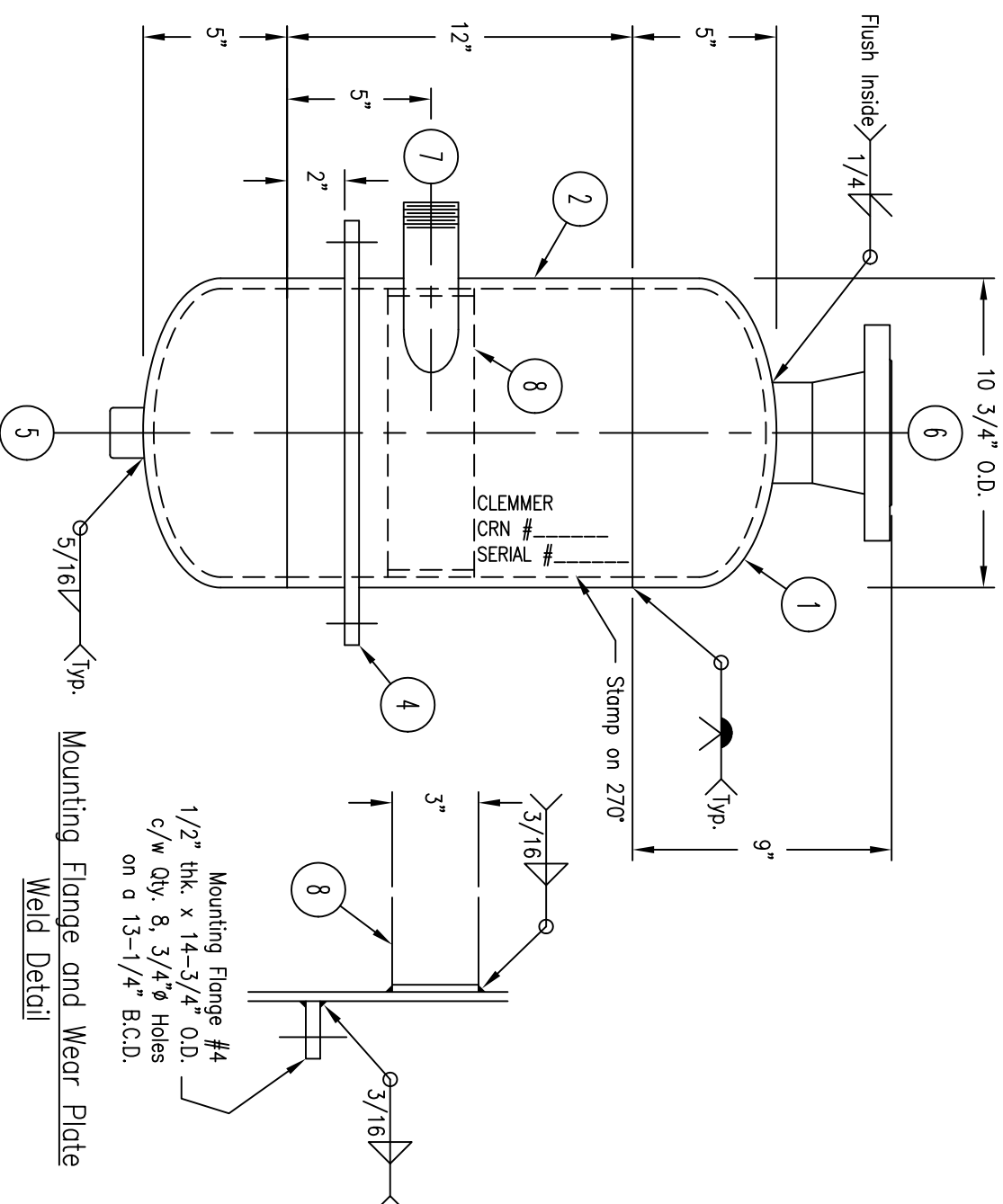
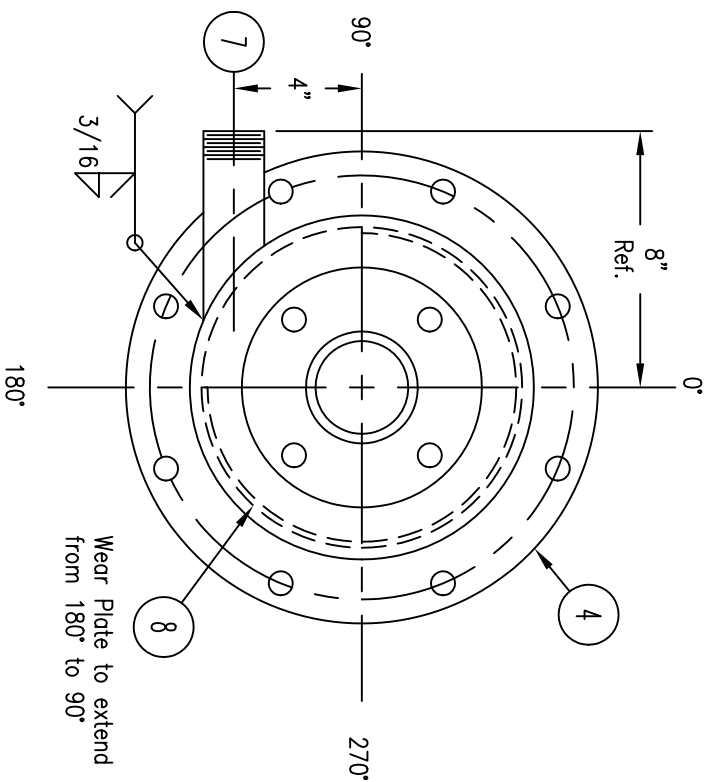
Cylinder:  
 Material: SA-106-B Seamless Pipe  
 Radiography:  
 Longitudinal joint - Seamless, No X-Ray  
 Circ. joint right/bottom - None UW-11(c) Type 1  
 Nominal thickness: 0.365"

**MATERIAL SPECIFICATIONS**  
 Couplings: SA-105 to B16.11  
 Structural: A-36 or better

**CAPACITIES**  
 Volume: Approx. 5.8 I.G. (26.5 ltrs)  
 Empty Weight: 85 lbs. (39 kg)

**FINISH**  
 Interior: As Welded  
 Exterior: Apply One Coat Red Primer

TOLERANCES U.N.O.
X" ±1/2"
X 1/2" ±1/4"
X 1/4" ±1/8"
X 1/8" ±1/16"
X 1/16" ±1/16"



**BILL OF MATERIALS**

KEY	ITEM NO.	QTY	DESCRIPTION	DWG. NO.
1		2	Head: 10" Sch.40 Pipe Cap to B16.9	
2		1	Cylinder: 10" Sch.40 Pipe x 12" Long	
3				
4		1	Mounting Flange	
5		1	CPHT100300XU Couplings: 1" N.P.T. 3000# Half to B16.11	
6		1	Pipe: 3" Sch.80 c/w 150# R.F.W.N. Flange	
7		1	Pipe: 1-1/2" Sch.160 c/w M.N.P.T.	
8		1	Wear Plate: 3/16" x 3" F.B.	

Reference: This drawing supersedes drawing PB4691

REVISIONS	DESCRIPTION	BY	DATE
MK			

This drawing is the exclusive property of Clemmer SteelCraft Technologies Inc. and is proprietary and confidential information. This drawing and the information contained therein must not be duplicated, used, divulged, reproduced, copied, disclosed or appropriated in whole or in part for any purpose other than as expressly authorized by Clemmer SteelCraft Technologies Inc. This drawing must be returned promptly upon request.



A DIVISION OF CLEMMER STEELCRAFT TECHNOLOGIES INC., WATERLOO, ONTARIO

DESCRIPTION: 10-3/4" O.D. Vert. Flash Chamber w/ Flange

CUSTOMER: Utilities Optimized

PROJECT:

ITEM NO.: BHR-24HP DRN.: RG Dec 03/07 SCALE: 1:6

JOB NO.: DWG. NO.: PB4820

